



LESSON 22 LEVEL B PAPER CONSTRUCTIONS

GOLLYWOKKERS

WHAT YOU WILL LEARN: folding and fastening paper to a 3-D toy

WHAT YOU WILL NEED: large paper bag; colored paper; scraps of colored paper, yarn, or crepe paper; scissors; glue; dowel, or paper towel tubing; newspapers

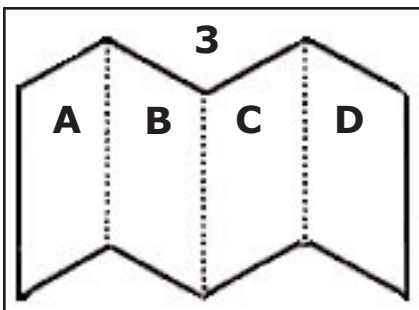
"TIPS": Invite a friend to make a gollywokker with you. The two funny faces can have fun together later.

Getting Started: Gollywokkers are big, funny-face bag-heads that can be used at a parade, a party, a puppet show or just for fun at home. They begin with a stuffed paper bag and are finished with paper trimmings or your choice of decoration.

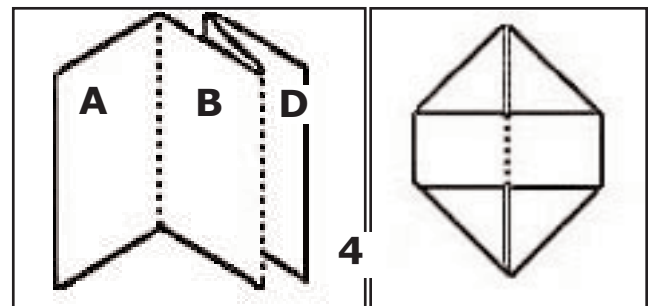


Gollywokker

1. Stuff a big paper bag with crumpled sheets of newspaper.
2. Put in a dowel or a cardboard tube and tie the bag tightly around it with string. Now you have a handle to hold when you march with your gollywokker. (You may choose to decorate the bag first and stuff it later.)
3. Fold a piece of paper 23 cm x 30 cm (9" x 12") in half to make it 11 cm x 15 cm (6" x 9"). Bring the fold to the open edge and crease again to 8 cm x 15cm (3" x 9"). (see diagram). You will have 4 sections.



4. Group B, C, and D together. Fold the corners to the center. (The side with B,C, and D will have three thicknesses.)



5. Close side 1 over side 2, so the loose corners are caught inside. This will form a pocket on the long side.

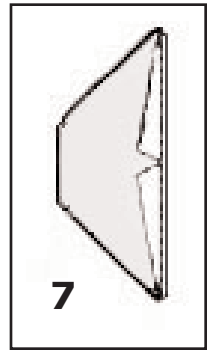
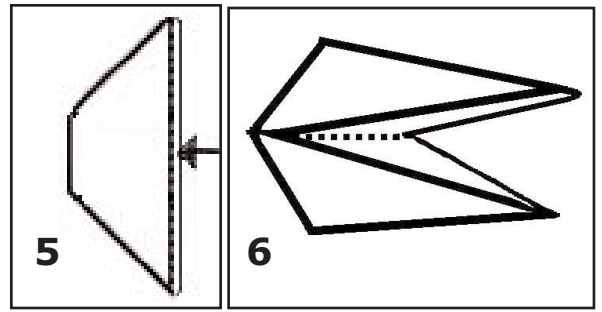
6. Put fingers in the pocket, with two thicknesses on each side. Touch the points together to make a beak. This will form a flat

surface at the back. Gently crease the line across the back to flatten it. This will make a base for gluing the beak on the gollywocker.

7. Optional: Make a small snip with a scissors at the crease and fold edges outward to make 'lips' for a more interesting beak. The beak will open and close more easily if you do this step.

8. Glue the beak/mouth to the gollywoker head. Add other features of cut paper. Make hair of cut paper, curled paper strips or yarn.

9. (Optional) Tie a thread to the upper part of the beak and pull it gently to make the gollywoker "talk."



CLEAN UP: Save large scraps and throw away the others. (Have you heard this before?) Put away the scissors and glue. Wash your sticky fingers. Be careful not to wash the fingers that are not sticky. (That's a joke.)

TALK ABOUT IT: Tell your gollywoker how much fun it was to make its funny face. Have a conversation in gollywoker language with another gollywoker as you parade around the room.

CONNECTIONS: Memorize a nonsense poem for your gollywoker to recite. Consider "T'was brillig and the slithy toves. . ." from *Alice in Wonderland* by Lewis Carroll or some of your favorite silly nursery rhymes. March to the music of a big brass band. Or use your gollywoker in a Carnival celebration.